

Student name: _____

File No. _____

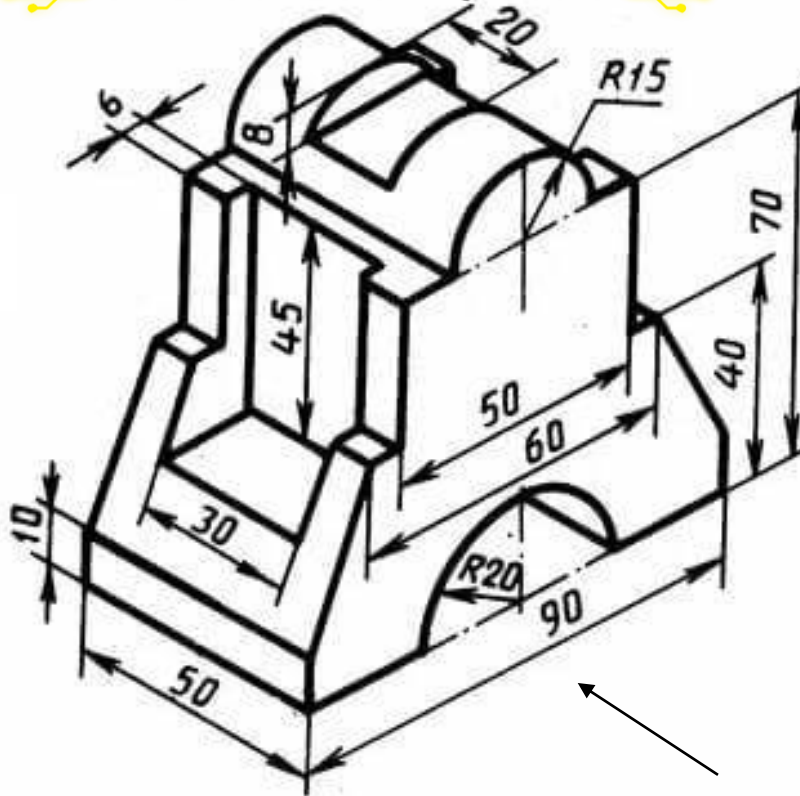
Section No. _____

Problem One [Metric]: For the following solid; draw Top view, Left View and full front sectional view.

Draw the cutting line.

(10 points)

POWERUNIT



Front

Good luck

Student name: _____

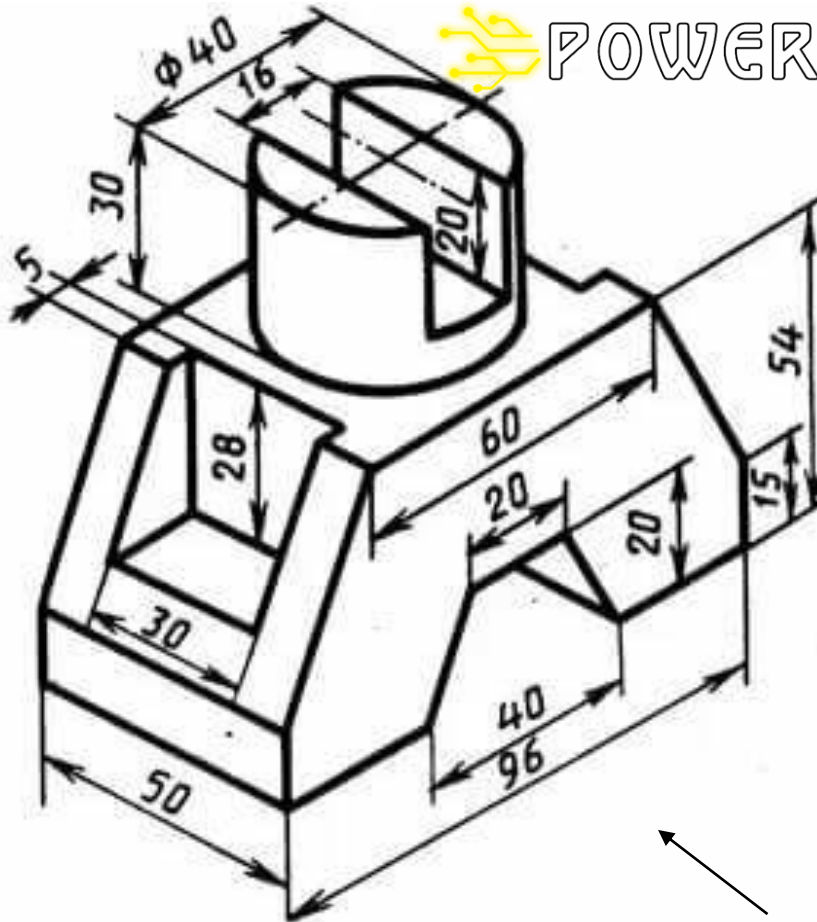
File No. _____

Section No. _____

Problem One [Metric]: For the following solid; draw Top view, Left View and full front sectional view.

Draw the cutting line.

(10 points)



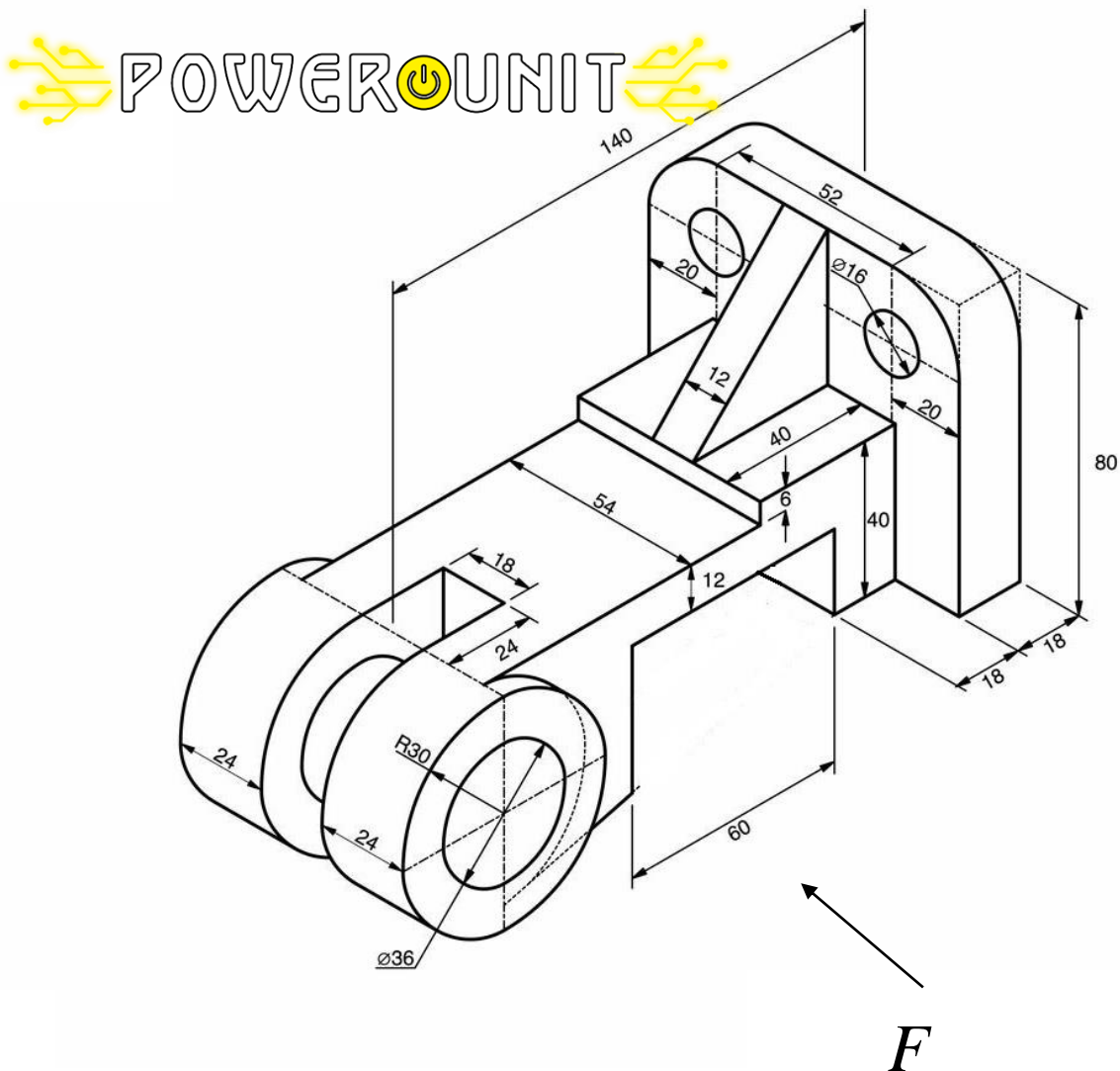
Front

Good luck

Problem One [Metric]: For the following solid; draw Top view, Left View and full front sectional view.

Draw the cutting line.

(10 points)



Good luck