

Student name: _____

File No. _____

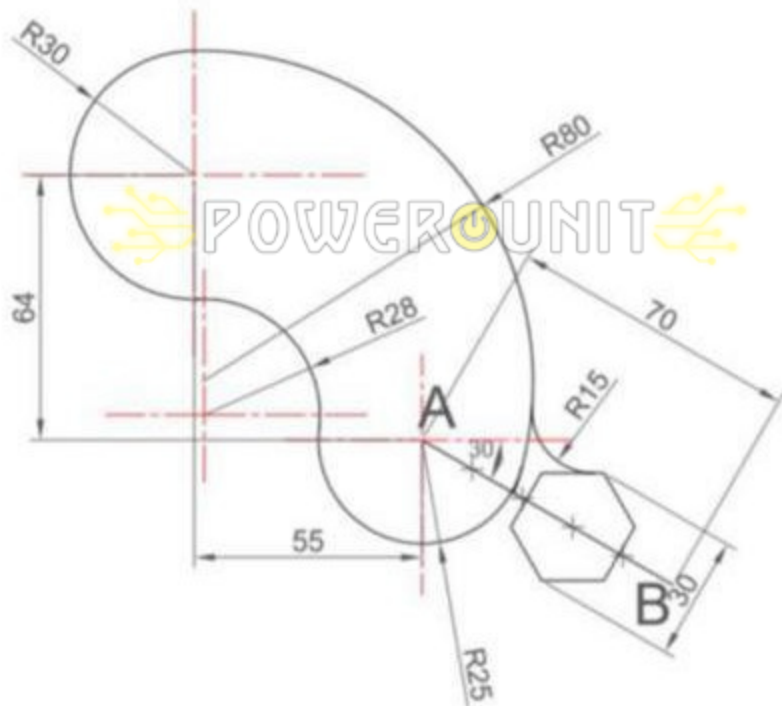
Section No. _____

Problem one [Metric]: a.) Prepare an instrumental drawing for the shown object.

Show lightly all construction lines, Mark all tangent points.

(5 Points)

b.) Divide the given line AB to 5 equal parts.



Student name: _____

File No. _____

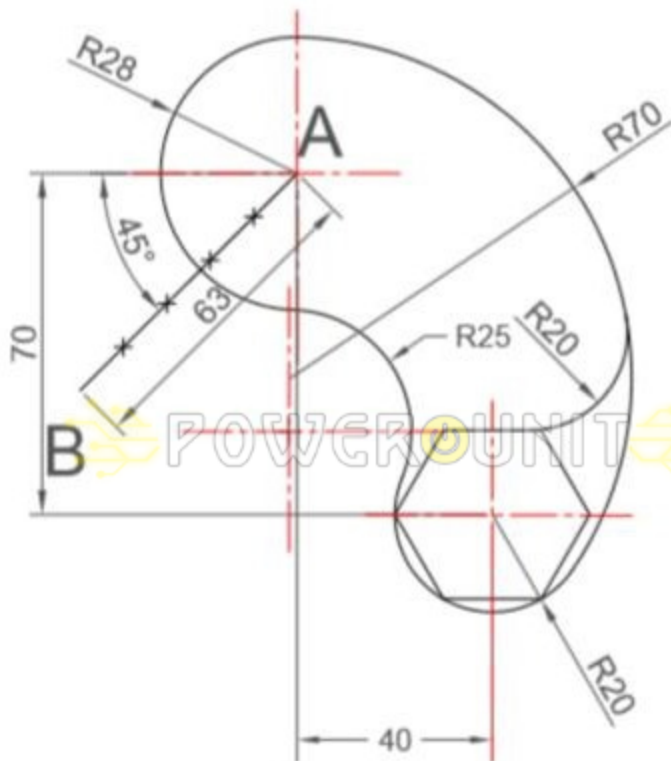
Section No. _____

Problem one [Metric]: a.) Prepare an instrumental drawing for the shown object.

Show lightly all **construction lines**, Mark all **tangent points**.

(5 Points)

B.) Divide the given line *AB* to 5 equal parts.



Good luck

